

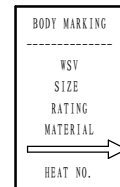
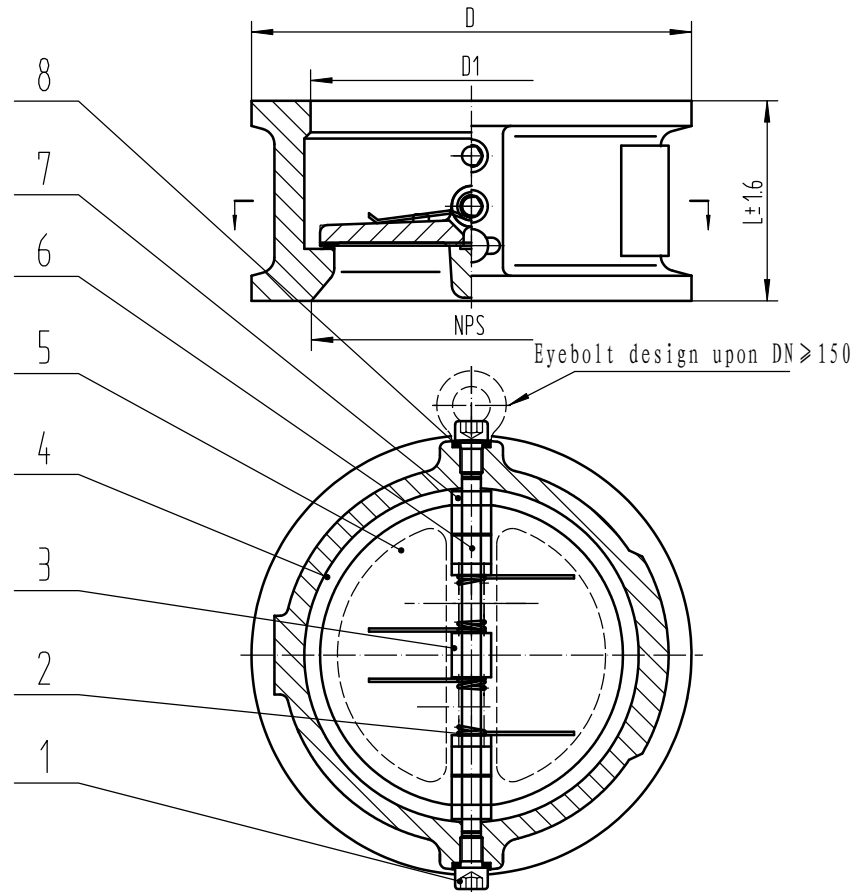
Features:

1. Design standard: API 594
2. Face to face: API 594
3. Flange ends: ASME B16.5
4. Test & inspection: API 598


SPECIFICATION			
Pressure	ANSI Class 150LB		
Pressure test	Shell (hydrostatic)	3.0	Mpa
	Seat (hydrostatic)	2.2	
Application Temp. -29° C ~ 150° C			

Main Dimension

Item Code	L	D1	D
H76W-150Lb-6"	98	156	220
H76W-150Lb-8"	127	204	278
H76W-150Lb-10"	146	266	337
H76W-150Lb-12"	181	324	407
H76W-150Lb-20"	219	505	604
H76W-150Lb-24"	222	605	715



8	WSV006-2008	Gasket	/	PTFE		
7	H76W-150Lb-06	Locating piece	/	A182 F316		
6	H76W-150Lb-05	Pin	/	A182 F316		
5	H76W-150Lb-04	Disc	/	A351 CF8M		
4	H76W-150Lb-03	Body	/	A351 CF8M		
3	H76W-150Lb-02	Locating cover	/	A182 F316		
2	H76W-150Lb-01	Spring	/	Inconel X750		
1	GB/T 70.1-2000	Screw	/	SS316		

NO.	CODE	MAIN PARTS	QTY	MATERIAL	REMARKS
				DESCRIPTION	DRAWING
				DUO CHECK VALVE WAFER TYPE, 150LB BODY: A351 CF8M	 Weidouli special valve
WEIDOU LI VALVES CO., LTD.					